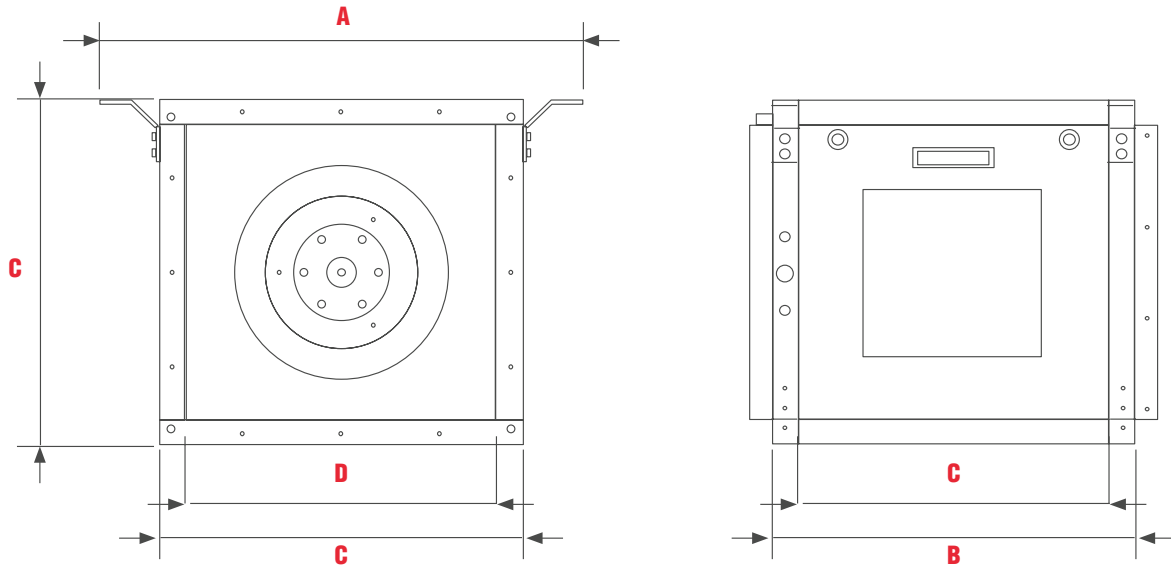




CLD

Extractores Centrífugos
en Línea con
transmisión directa

DIMENSIONALES



	A	B	C	D
CLD-L 7	494	465	380	319
CLD-L 10	629	576	508	372
CLD-L 12	725	630	563	469
CLD-L 14	801	676	606	521
CLD-L 16	903	806	708	603

Dimensiones en mm

	A	B	C	D
CLD-L 7	19.4	18.3	15.0	12.6
CLD-L 10	24.8	22.7	20.0	14.6
CLD-L 12	28.5	24.8	22.2	18.5
CLD-L 14	31.5	26.6	23.9	20.5
CLD-L 16	35.6	31.7	27.9	23.7

Dimensiones en in

Modelo	Acoplamiento	Presión	Tamaño	RPM	HP	Voltaje
CL	D	L	7	1625	1/8	115
				1725	1/3	115
				1725		208-230/460
			10	1075	1/8	115
				1725	1/3	110-127/208-230
				1725		208-230/460
			12	1075	1/4	115
				1725	3/4	110-127/208-230
				1725		208-230/460
			14	1075	1/4	115
				1725	1	110-127/208-230
				1755		230/460
16	1075	3/4	115-127			
	1155	1	208-230/460			
	1765	3	230/460			



CARACTERÍSTICAS TÉCNICAS

CLD-L 7

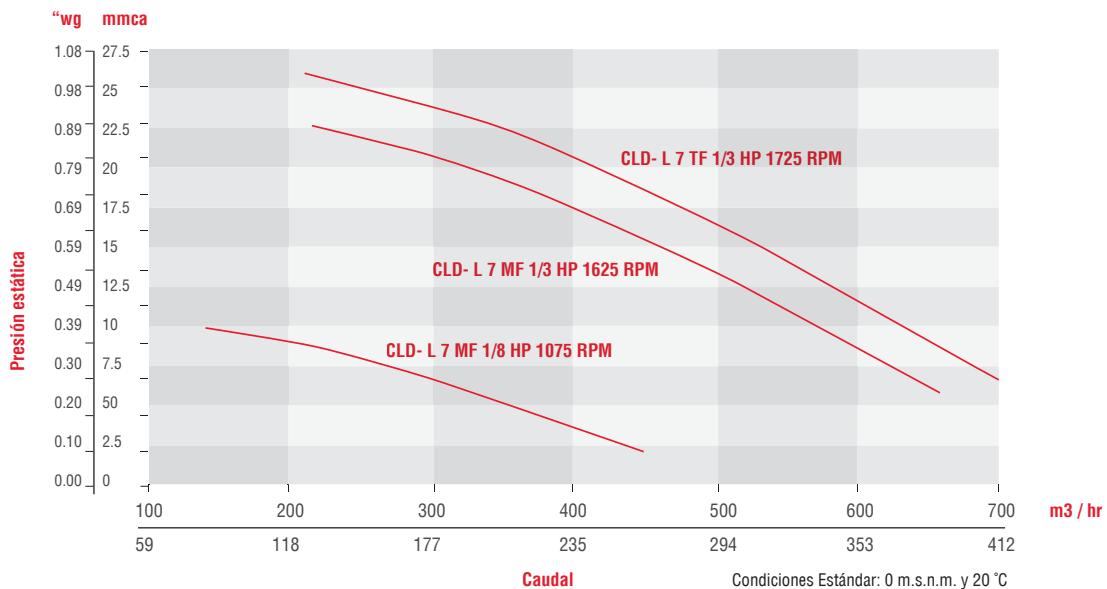
HP	RPM	PRESIÓN ESTÁTICA wg / mmca													
		0.12/3.048		0.15/3.81		0.2/5.08		0.25/6.35		0.3/7.62		0.35/8.89		0.42/10.668	
		CFM	m3/hr	CFM	m3/hr	CFM	m3/hr	CFM	m3/hr	CFM	m3/hr	CFM	m3/hr	CFM	m3/hr
1/8 MF	1075	BHP	dB(A)	BHP	dB(A)	BHP	dB(A)	BHP	dB(A)	BHP	dB(A)	BHP	dB(A)	BHP	dB(A)
115V		264	449	234	398	210	357	184	313	156	265	123	209	83	141
		0.04	48.8	0.04	48.1	0.04	47.6	0.04	47.5	0.04	47.5	0.04	47.4	0.04	47.2

HP	RPM	PRESIÓN ESTÁTICA wg / mmca													
		0.32/8.128		0.4/10.16		0.5/12.7		0.7/17.78		0.8/20.32		0.85/21.59		0.89/22.606	
		CFM	m3/hr	CFM	m3/hr	CFM	m3/hr	CFM	m3/hr	CFM	m3/hr	CFM	m3/hr	CFM	m3/hr
1/3 MF	1625	BHP	dB(A)	BHP	dB(A)	BHP	dB(A)	BHP	dB(A)	BHP	dB(A)	BHP	dB(A)	BHP	dB(A)
115V		360	612	335	569	303	515	230	391	186	316	157	267	127	216
		0.14	55.9	0.14	55.1	0.14	54.6	0.14	52.8	0.13	51.5	0.13	50.3	0.13	48.5

HP	RPM	PRESIÓN ESTÁTICA wg / mmca													
		0.261 / 6.63		0.45 / 11.43		0.55 / 13.97		0.7 / 17.78		0.8 / 20.32		0.9 / 22.86		1.02 / 25.91	
		CFM	m3/hr	CFM	m3/hr	CFM	m3/hr	CFM	m3/hr	CFM	m3/hr	CFM	m3/hr	CFM	m3/hr
1/3 MF	1725	BHP	dB(A)	BHP	dB(A)	BHP	dB(A)	BHP	dB(A)	BHP	dB(A)	BHP	dB(A)	BHP	dB(A)
208-230/460V		412	700	356	605	325	552	276	469	240	408	198	336	124	211
		0.17	57.6	0.16	56.4	0.16	56.0	0.16	55.5	0.16	55.0	0.16	54.2	0.16	53.4

* Presión sonora a la succión a 1.5m en dB (A), campo libre.

CURVAS - CLD- L 7





CARACTERÍSTICAS TÉCNICAS

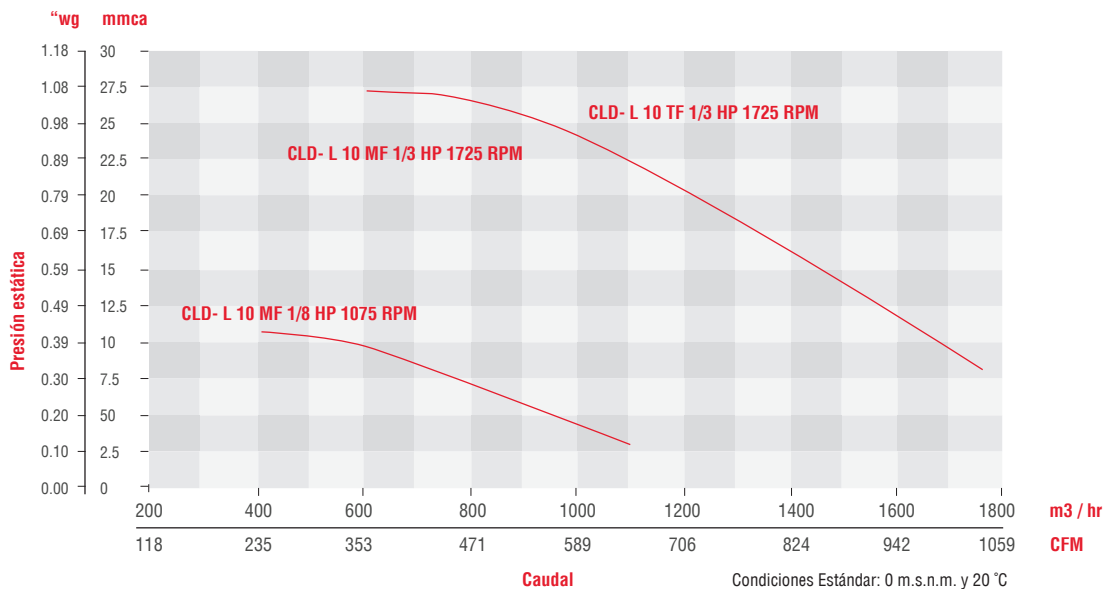
CLD-L 10		PRESIÓN ESTÁTICA wg / mmca													
HP	RPM	0.12"/3.048mm		0.15"/3.81mm		0.2"/5.08mm		0.25"/6.35mm		0.3"/7.62mm		0.35"/8.89mm		0.42"/10.668mm	
		CFM	m3/hr	CFM	m3/hr	CFM	m3/hr	CFM	m3/hr	CFM	m3/hr	CFM	m3/hr	CFM	m3/hr
1/8 MF	1075	BHP	dB(A)	BHP	dB(A)	BHP	dB(A)	BHP	dB(A)	BHP	dB(A)	BHP	dB(A)	BHP	dB(A)
115V		648	1101	618	1050	564	958	509	865	456	775	399	678	243	413
		0.08	53.5	0.08	53.5	0.08	53.7	0.08	54.0	0.08	54.4	0.08	54.8	0.07	55.2

HP	RPM	PRESIÓN ESTÁTICA wg / mmca													
		0.32"/8.128mm		0.4"/10.16mm		0.5"/12.7mm		0.7"/17.7mm		0.8"/20.32mm		1"/25.4mm		1.07"/27.178mm	
1/3 MF	1725	CFM	m3/hr	CFM	m3/hr	CFM	m3/hr	CFM	m3/hr	CFM	m3/hr	CFM	m3/hr	CFM	m3/hr
		110-127/208-230V	1034	1757	982	1668	915	1555	780	1325	713	1211	548	931	358
		0.32	63.9	0.32	63.9	0.33	64.0	0.33	64.4	0.33	64.7	0.31	65.3	0.27	66.1

HP	RPM	PRESIÓN ESTÁTICA wg / mmca													
		0.32"/8.128mm		0.4"/10.16mm		0.5"/12.7mm		0.7"/17.7mm		0.8"/20.32mm		1"/25.4mm		1.07"/27.178mm	
1/3 TF	1725	CFM	m3/hr	CFM	m3/hr	CFM	m3/hr	CFM	m3/hr	CFM	m3/hr	CFM	m3/hr	CFM	m3/hr
		208-230/460V	1034	1757	982	1668	915	1555	780	1325	713	1211	548	931	358
		0.32	63.9	0.32	63.9	0.33	64.0	0.33	64.4	0.33	64.7	0.31	65.3	0.27	66.1

* Presión sonora a la succión a 1.5m en dB (A), campo libre.

CURVAS - CLD- L 10





CARACTERÍSTICAS TÉCNICAS

CLD-L 12

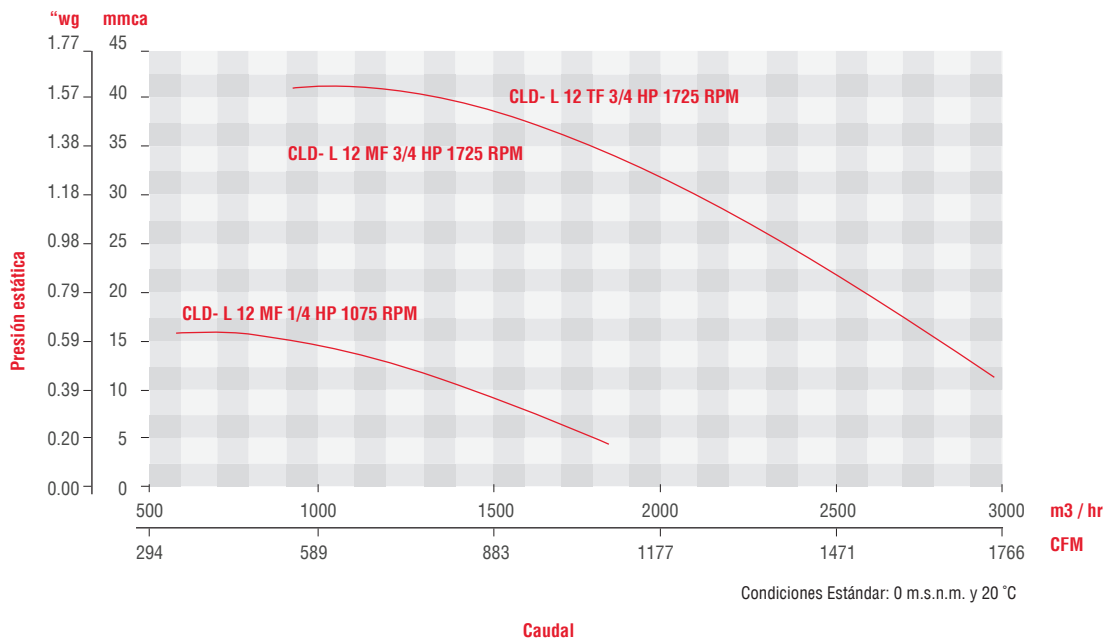
HP	RPM	PRESIÓN ESTÁTICA wg / mmca													
		0.2"/5.08mm		0.25"/6.35mm		0.3"/7.62mm		0.4"/10.16mm		0.5"/12.7mm		0.55"/13.97mm		0.6"/15.24mm	
		CFM BHP	m3/hr dB(A)	CFM BHP	m3/hr dB(A)	CFM BHP	m3/hr dB(A)	CFM BHP	m3/hr dB(A)	CFM BHP	m3/hr dB(A)	CFM BHP	m3/hr dB(A)	CFM BHP	m3/hr dB(A)
1/4 MF 115V	1075	1061 0.17	1803 59.8	1011 0.17	1718 59.3	958 0.17	1628 59.0	844 0.18	1434 58.6	715 0.18	1215 59.1	636 0.17	1081 59.6	526 0.17	894 60.2

HP	RPM	PRESIÓN ESTÁTICA wg / mmca													
		0.5"/12.7mm		0.65"/16.51mm		0.85"/21.59mm		1"/25.4mm		1.25"/31.75mm		1.4"/35.56mm		1.6"/40.64mm	
		CFM BHP	m3/hr dB(A)	CFM BHP	m3/hr dB(A)	CFM BHP	m3/hr dB(A)	CFM BHP	m3/hr dB(A)	CFM BHP	m3/hr dB(A)	CFM BHP	m3/hr dB(A)	CFM BHP	m3/hr dB(A)
3/4 MF 127-230V	1725	1712 0.71	2909 70.5	1618 0.72	2749 70.2	1484 0.72	2521 69.9	1376 0.73	2338 69.8	1179 0.73	2003 70.0	1038 0.71	1764 70.3	699 0.65	1188 71.3

HP	RPM	PRESIÓN ESTÁTICA wg / mmca													
		0.5"/12.7mm		0.65"/16.51mm		0.85"/21.59mm		1"/25.4mm		1.25"/31.75mm		1.4"/35.56mm		1.6"/40.64mm	
		CFM BHP	m3/hr dB(A)	CFM BHP	m3/hr dB(A)	CFM BHP	m3/hr dB(A)	CFM BHP	m3/hr dB(A)	CFM BHP	m3/hr dB(A)	CFM BHP	m3/hr dB(A)	CFM BHP	m3/hr dB(A)
3/4 TF 208-230/460V	1725	1712 0.71	2909 70.5	1618 0.72	2749 70.2	1484 0.72	2521 69.9	1376 0.73	2338 69.8	1179 0.73	2003 70.0	1038 0.71	1764 70.3	699 0.65	1188 71.3

* Presión sonora a la succión a 1.5m en dB (A), campo libre.

CURVAS - CLD- L 12





CARACTERÍSTICAS TÉCNICAS

CLD-L 14

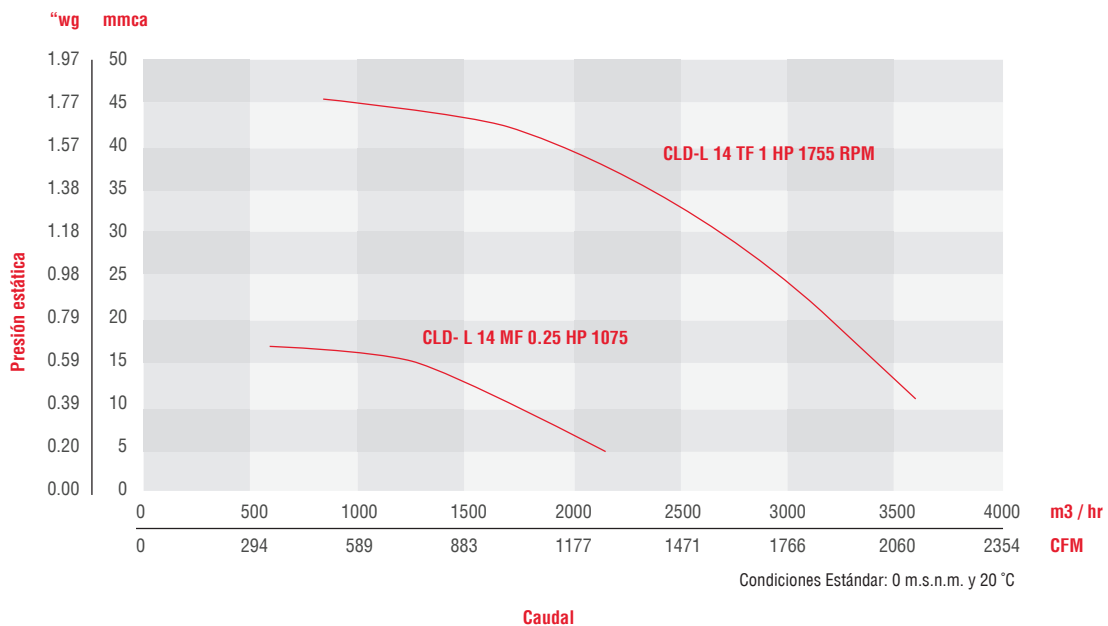
HP	RPM	PRESIÓN ESTÁTICA wg / mmca													
		0.2/5.08		0.25/6.35		0.35/8.89		0.45/11.43		0.55/13.97		0.63/16.002		0.67/17.018	
		CFM m³ / hr	BHP dB(A)	CFM m³ / hr	BHP dB(A)	CFM m³ / hr	BHP dB(A)	CFM m³ / hr	BHP dB(A)	CFM m³ / hr	BHP dB(A)	CFM m³ / hr	BHP dB(A)	CFM m³ / hr	BHP dB(A)
0.25 MF	1075	1264	0.18	1207	0.18	1091	0.19	963	0.2	806	0.2	612	0.18	348	0.15
115V		2148	65.1	2051	64.9	1854	64.5	1636	63.9	1369	62.8	1040	61.8	591	63.3

HP	RPM	PRESIÓN ESTÁTICA wg / mmca													
		0.45/11.43		0.65/16.51		0.85/21.59		1/25.4		1.25/31.75		1.65/41.91		1.73/43.94	
		CFM m³ / hr	BHP dB(A)	CFM m³ / hr	BHP dB(A)	CFM m³ / hr	BHP dB(A)	CFM m³ / hr	BHP dB(A)	CFM m³ / hr	BHP dB(A)	CFM m³ / hr	BHP dB(A)	CFM m³ / hr	BHP dB(A)
1 MF	1725	2074	0.74	1932	0.76	1788	0.79	1675	0.81	1464	0.82	917	0.73	478	0.73
110- 127/208- 230V		3524	75.8	3282	75.7	3038	75.6	2846	74.9	2487	74.4	1558	72.5	812	73.2

HP	RPM	PRESIÓN ESTÁTICA wg / mmca													
		0.46/11.684		0.65/16.51		0.85/21.59		1/25.4		1.25/31.75		1.65/41.91		1.79/45.466	
		CFM m³ / hr	BHP dB(A)	CFM m³ / hr	BHP dB(A)	CFM m³ / hr	BHP dB(A)	CFM m³ / hr	BHP dB(A)	CFM m³ / hr	BHP dB(A)	CFM m³ / hr	BHP dB(A)	CFM m³ / hr	BHP dB(A)
1 TF	1755	2114	0.77	1981	0.8	1841	0.83	1731	0.84	1529	0.86	1057	0.81	500	0.61
230/460V		3592	75.8	3366	75.8	3128	75.7	2941	75.3	2598	74.5	1796	72.6	850	73.3

* Presión sonora a la succión a 1.5m en dB (A), campo libre.

CURVAS - CLD-L 14





CARACTERÍSTICAS - CLD-L 16

CLD-L 16

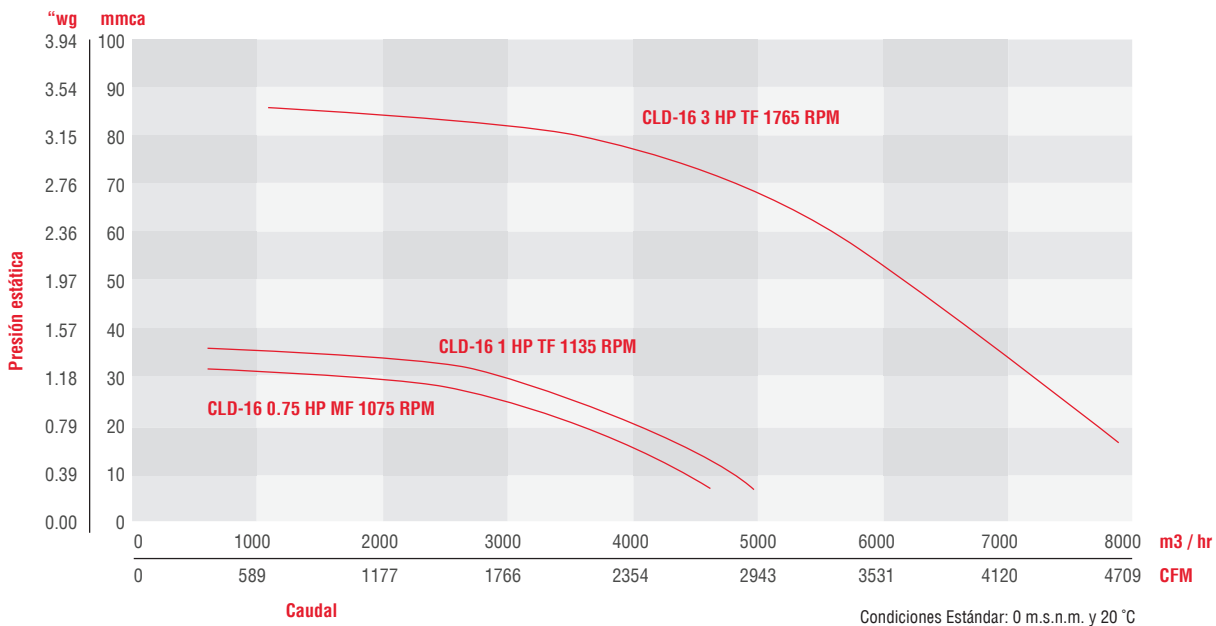
HP	RPM	PRESIÓN ESTÁTICA wg / mmca													
		0.3"/7.62mm		0.5"/12.7mm		0.6"/15.24mm		0.75"/19.05mm		1"/25.4mm		1.15"/29.21mm		1.25"/31.75mm	
		CFM m³/hr	BHP dB(A)	CFM m³/hr	BHP dB(A)	CFM m³/hr	BHP dB(A)	CFM m³/hr	BHP dB(A)	CFM m³/hr	BHP dB(A)	CFM m³/hr	BHP dB(A)	CFM m³/hr	BHP dB(A)
0.75 MF	1075	2745	0.65	2508	0.67	2388	0.67	2196	0.68	1786	0.67	1333	0.6	481	0.39
115-127V		4664	68	4261	67.2	4057	67	3731	66.8	3034	66.3	2265	65.3	817	63.7

HP	RPM	PRESIÓN ESTÁTICA wg / mmca													
		0.35"/8.89mm		0.5"/12.7mm		0.75"/19.05mm		0.85"/21.59mm		1"/25.4mm		1.25"/31.75mm		1.35"/34.29mm	
		CFM m³/hr	BHP dB(A)	CFM m³/hr	BHP dB(A)	CFM m³/hr	BHP dB(A)	CFM m³/hr	BHP dB(A)	CFM m³/hr	BHP dB(A)	CFM m³/hr	BHP dB(A)	CFM m³/hr	BHP dB(A)
1 TF	1135	2881	0.77	2712	0.78	2426	0.79	2301	0.8	2088	0.8	1534	0.73	973	0.6
208-230/460		3524	69	3282	68.6	3038	68	2846	67.9	2487	67.8	1558	66.8	812	65.5

HP	RPM	PRESIÓN ESTÁTICA wg / mmca													
		0.75"/19.05mm		1"/25.4mm		1.5"/38.1mm		2"/50.8mm		2.5"/63.5mm		3"/76.2mm		3.25"/82.55mm	
		CFM m³/hr	BHP dB(A)	CFM m³/hr	BHP dB(A)	CFM m³/hr	BHP dB(A)	CFM m³/hr	BHP dB(A)	CFM m³/hr	BHP dB(A)	CFM m³/hr	BHP dB(A)	CFM m³/hr	BHP dB(A)
3 TF	1765	4551	2.89	4368	2.91	4007	2.96	3624	3	3163	2.98	2436	2.79	1595	2.31
208-230/460		7732	79.2	7421	78.9	6808	83.4	6157	77.8	5374	77.1	4139	76.1	2710	86.7

* Presión sonora a la succión a 1.5m en dB (A), campo libre.

CURVAS - CLD-L 16





S&P México

Tel. 52 (222) 2 233 911, 2 233 900
comercialmx@solerpalau.com

S&P Colombia

PBX: (+571 743 8021)
comercial@solerpalau.com.co

S&P Perú

Tel. +51 (1) 200 9020
comercialpe@solerpalau.com



WWW.SOLERPALAU.MX